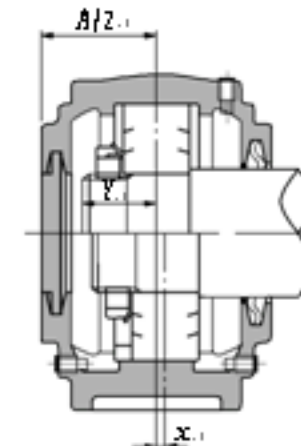
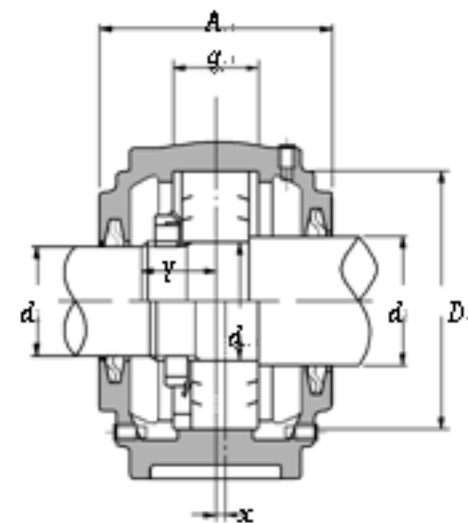
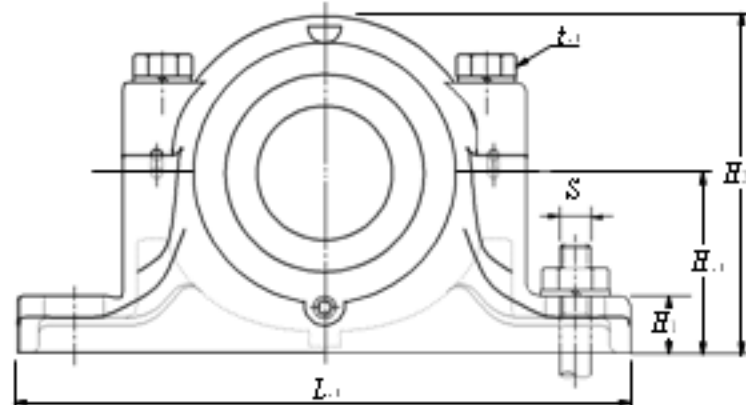
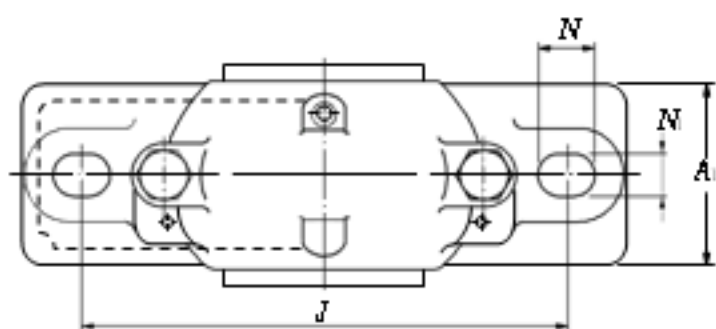


SNZ3-SZ3 Series



轴径 Shaft dia. mm d	轴承座代号 Housing numbers	基本尺寸 Dimensions													大致 Approx. S.	重量 Mass kg.	公称代号 Nominal number							大致 Approx. mm Y	密封圈代号 Seal number		轴径 Shaft dia. mm d	
		D	H	J	N	N	A	mm L	A	H	H	g	t	调心球轴承 Self-aligning ball bearing			定位环 Setting ring	数量 Number	球面滚子轴承 Spherical roller bearings	定位环 Setting ring	数量 Number	螺母 Nut	垫圈 Washer		(d2)	(d3)		
30	25 35	SNZ306	72	50	150	15	20	82	185	52	22	95	37	M10	M12	2.1	1306 2306	SR 72X 9 SR 72X10	2 1	-	-	-	AN06	AW06	19 23	ZF6	ZF8	30
30	25 40	SNZ306X	72	50	150	15	20	82	185	52	22	95	37	M10	M12	2.1	1306 2306	SR 72X 9 SR 72X10	2 1	-	-	-	AN06	AW06	19 23	ZF6	ZF9	30
35	30 45	SNZ307	80	60	170	15	20	90	205	60	25	110	41	M10	M12	3.1	1307 2307	SR 80X10 SR 80X10	2 1	-	-	-	AN07	AW07	21 26	ZF7	ZF10	35
40	35 50	SNZ308	90	60	170	15	20	95	205	60	25	115	43	M10	M12	3.5	1308 2308	SR 90X10 SR 90X10	2 1	21308C 22308C	SR 90X10 SR 90X10	2 1	AN08	AW08	23 28	ZF8	ZF11	40
45	40 55	SNZ309	100	70	210	18	23	105	255	70	28	130	46	M12	M16	4.8	1309 2309	SR100X10.5 SR100X10	2 1	21309C 22309C	SR100X10.5 SR100X10	2 1	AN09	AW09	25 31	ZF9	ZF12	45
50	45 60	SNZ310	110	70	210	18	23	115	255	70	30	135	50	M12	M16	5.6	1310 2310	SR110X11.5 SR110X10	2 1	21310C 22310C	SR110X11.5 SR110X10	2 1	AN10	AW10	27 34	ZF10	ZF13	50
55	50 65	SNZ311	120	80	230	18	23	120	275	80	30	150	53	M12	M16	6.6	1311 2311	SR120X12 SR120X10	2 1	21311 22311B	SR120X12 SR120X10	2 1	AN11	AW11	29 36	ZF11	ZF15	55
60	55 70	SNZ312	130	80	230	18	23	125	280	80	30	155	56	M12	M16	7.9	1312 2312	SR130X12.5 SR130X10	2 1	21312 22312B	SR130X12.5 SR130X10	2 1	AN12	AW12	31 39	ZF12	ZF16	60
65	60 75	SNZ313	140	95	260	22	27	130	315	90	32	175	58	M16	M20	11	1313 2313	SR140X12.5 SR140X10	2 1	21313 22313B	SR140X12.5 SR140X10	2 1	AN13	AW13	33 40	ZF13	ZF17	65
70	60 80	SNZ314	150	95	260	22	27	130	320	90	32	185	61	M16	M20	12	1314 2314	SR150X13 SR150X10	2 1	21314 22314B	SR150X13 SR150X10	2 1	AN14	AW14	34 42	ZF13	ZF18	70
75	65 85	SNZ315	160	100	290	22	27	140	345	100	35	195	65	M16	M20	13	1315 2315	SR160X14 SR160X10	2 1	21315 22315B	SR160X14 SR160X10	2 1	AN15	AW15	36 45	ZF15	ZF19	75
80	70 90	SNZ316	170	112	290	22	27	145	345	100	35	212	68	M16	M20	16	1316 2316	SR170X14.5 SR170X10	2 1	21316 22316B	SR170X14.5 SR170X10	2 1	AN16	AW16	39 48	ZF16	ZF20	80
85	75 95	SNZ317	180	112	320	26	32	155	380	110	40	218	70	M20	M24	18	1317 2317	SR180X14.5 SR180X10	2 1	21317 22317B	SR180X14.5 SR180X10	2 1	AN17	AW17	41 50	ZF17	ZF21	85
85	75 100	SNZ317X	180	112	320	26	32	155	380	110	40	218	70	M20	M24	18	1317 2317	SR180X14.5 SR180X10	2 1	21317 22317B	SR180X14.5 SR180X10	2 1	AN17	AW17	41 50	ZF17	ZF22	85
90	80 100	SZ318	190	112	320	26	35	160	400	110	33	230	74	M20	M24	21	1318 2318	SR190X15.3 SR190X 9.5	2 1	21318 22318B	SR190X15.3 SR190X9.5	2 1	AN18	AW18	42 52	ZF18	ZF22	90
90	80 105	SZ318X	190	112	320	26	35	160	400	110	33	230	74	M20	M24	21	1318 2318	SR190X15.3 SR190X 9.5	2 1	21318 22318B	SR190X15.3 SR190X 9.5	2 1	AN18	AW18	42 52	ZF18	ZF23	90
95	85 110	SZ319	200	125	350	26	35	170	420	120	36	245	77	M20	M24	23	1319 2319	SR200X15.8 SR200X 9.5	2 1	21319 22319B	SR200X15.8 SR200X 9.5	2 1	AN19	AW19	44 55	ZF19	ZF24	95
100	90 115	SZ320	215	140	350	26	35	175	420	120	38	280	83	M20	M24	32	1320 2320	SR215X17.8 SR215X 9.5	2 1	21320 22320B	SR215X17.8 SR215X 9.5	2 1	AN20	AW20	46 59	ZF20	ZF26	100
110	100 125	SZ322	240	150	390	28	38	190	460	130	40	300	90	M24	M24	42	1322 2322	SR240X19.8 SR240X 9.5	2 1	21322 22322B	SR240X19.8 SR240X 9.5	2 1	AN22	AW22	48 63	ZF22	ZF28	110
120	110 135	SZ324	260	160	450	33	42	205	540	160	50	325	96	M24	M30	61	-	-	-	22324B	SR260X9.5	1	AN24	AW24	67	ZF24	ZF30	120
130	115 150	SZ326	280	170	470	33	42	215	560	160	50	350	103	M24	M30	68	-	-	-	22326B	SR280X9.5	1	AN26	AW26	72	ZF26	ZF34	130
140	125 160	SZ328	300	180	520	35	45	235	630	170	55	375	112	M30	M30	95	-	-	-	22328B	SR300X9.5	1	AN28	AW28	77	ZF28	ZF36	140
150	135 170	SZ330	320	190	560	35	45	245	680	180	55	395	118	M30	M30	110	-	-	-	22330B	SR320X9.5	1	AN30	AW30	82	ZF30	ZF38	150
160	140 180	SZ332	340	200	580	42	52	255	710	190	60	415	124	M30	M36	130	-	-	-	22332B	SR340X9.5	1	AN32	AW32	88	ZF32	ZF40	160