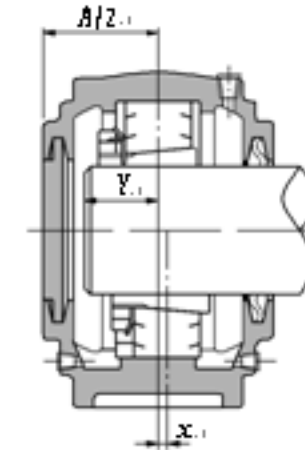
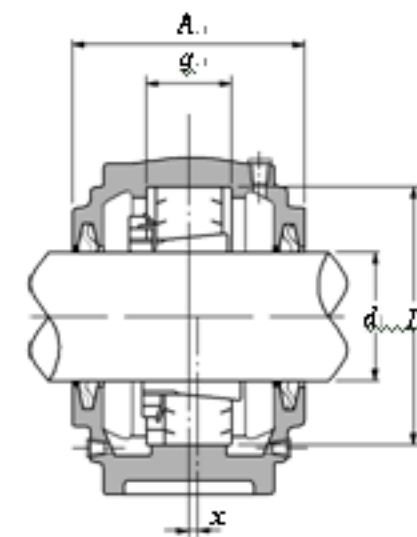
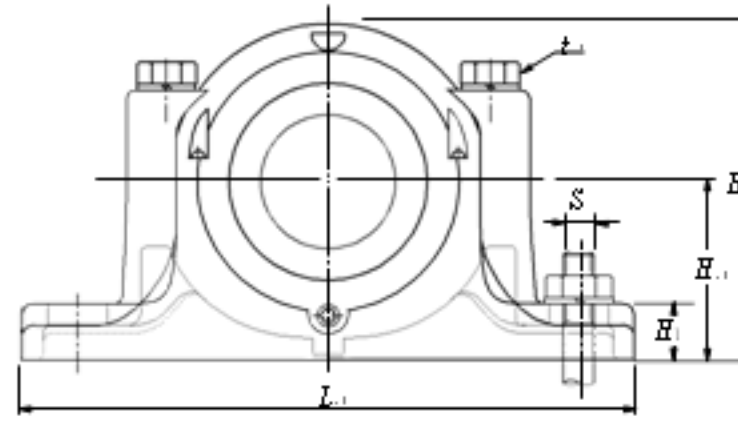
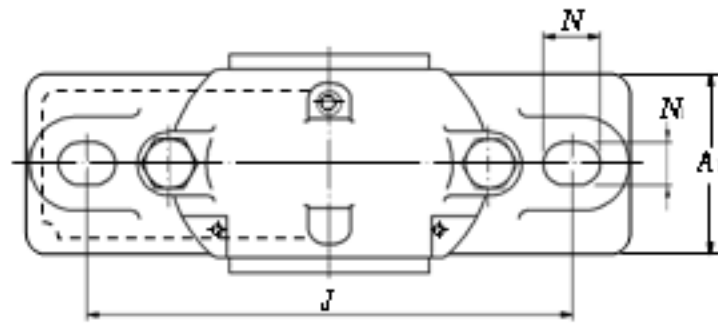


# SN6-S6 Series



轴径 Shaft dia. mm d1	轴承座 代号 Housing numbers	基本尺寸Dimensions mm.												大致 Approx. S	重量 Mass. kg	公称代号 Nominal number					大致 Approx mm.	密封 代号 Seal number		
		D	H	J	M	N	A	L	A1	H1	H2	g	t			同心球轴承 Self-aligning ball bearings	定位环 Setting ring Number	数量	球面滚子轴承 Spherical roller bearings	定位环 Setting ring			数量 Number	
25	SN606	72	50	150	15	20	82	185	52	22	95	37	M10	M12	2.3	1306K;H306X. 2306K;H2306X	SR 72X 9 SR 72X10	2 1	-	-	-	-	19 23	ZF6
30	SN607	80	60	170	15	20	90	205	60	25	110	41	M10	M12	3.0	1307K;H307X. 2307K;H2307X	SR 80X10 SR 80X10	2 1	-	-	-	-	21 26	ZF7
35	SN608	90	60	170	15	20	95	205	60	25	115	43	M10	M12	3.1	1308K;H308X. 2308K;H2308X	SR 90X10 SR 90X10	2 1	21308CK;H308X. 22308CK;H2308X	SR 90X10 SR 90X10	2 1	23 28	ZF8	
40	SN609	100	70	210	18	23	105	255	70	28	130	46	M12	M16	4.4	1309K;H309X. 2309K;H2309X	SR100X10.5 SR100X10	2 1	21309CK;H309X. 22309CK;H2309X	SR100X10.5 SR100X10	2 1	25 31	ZF9	
45	SN610	110	70	210	18	23	115	255	70	30	135	50	M12	M16	5.0	1310K;H310X. 2310K;H2310X	SR110X11.5 SR110X10	2 1	21310CK;H310X. 22310CK;H2310X	SR110X11.5 SR110X10	2 1	27 34	ZF10	
50	SN611	120	80	230	18	23	120	275	80	30	150	53	M12	M16	5.8	1311K;H311X. 2311K;H2311X	SR120X12 SR120X10	2 1	21311K;H311X. 22311BK;H2311X	SR120X12 SR120X10	2 1	29 36	ZF11	
55	SN612	130	80	230	18	23	125	280	80	30	155	56	M12	M16	7.7	1312K;H312X. 2312K;H2312X	SR130X12.5 SR130X10	2 1	21312K;H312X. 22312BK;H2312X	SR130X12.5 SR130X10	2 1	31 39	ZF12	
60	SN613	140	95	260	22	27	130	315	90	32	175	58	M16	M20	9.8	1313K;H313X. 2313K;H2313X	SR140X12.5 SR140X10	2 1	21313K;H313X. 22313BK;H2313X	SR140X12.5 SR140X10	2 1	33 40	ZF13	
65	SN615	160	100	290	22	27	140	345	100	35	195	65	M16	M20	12	1315K;H315X. 2315K;H2315X	SR160X14 SR160X10	2 1	21315K;H315X. 22315BK;H2315X	SR160X14 SR160X10	2 1	36 45	ZF15	
70	SN616	170	112	290	22	27	145	345	100	35	212	68	M16	M20	15	1316K;H316X. 2316K;H2316X	SR170X14.5 SR170X10	2 1	21316K;H316X. 22316BK;H2316X	SR170X14.5 SR170X10	2 1	39 48	ZF16	
75	SN617	180	112	320	26	32	155	380	110	40	218	70	M20	M24	17	1317K;H317X. 2317K;H2317X	SR180X14.5 SR180X10	2 1	21317K;H317X. 22317BK;H2317X	SR180X14.5 SR180X10	2 1	41 50	ZF17	
80	S618	190	112	320	26	35	160	400	110	33	230	74	M20	M24	21	1318K;H318X. 2318K;H2318X	SR190X15.3 SR190X 9.5	2 1	21318K;H318X. 22318BK;H2318X	SR190X15.3 SR190X 9.5	2 1	42 52	ZF18	
85	S619	200	125	350	26	35	170	420	120	36	245	77	M20	M24	24	1319K;H319X. 2319K;H2319X	SR200X15.8 SR200X 9.5	2 1	21319K;H319X. 22319BK;H2319X	SR200X15.8 SR200X 9.5	2 1	44 55	ZF19	
90	S620	215	140	350	26	35	175	420	120	38	280	83	M20	M24	29	1320K;H320X. 2320K;H2320X	SR215X17.8 SR215X 9.5	2 1	21320K;H320X. 22320BK;H2320X	SR215X17.8 SR215X 9.5	2 1	46 59	ZF20	
100	S622	240	150	390	28	38	190	460	130	40	300	90	M24	M24	38	1322K;H322X. 2322K;H2322X	SR240X19.8 SR240X 9.5	2 1	21322K;H322X. 22322BK;H2322X	SR240X19.8 SR240X 9.5	2 1	48 63	ZF22	
110	S624	260	160	450	33	42	205	540	160	50	325	96	M24	M30	47	-	-	-	22324BK;H2324X	SR260X 9.5	1	67	ZF24	
115	S626	280	170	470	33	42	215	560	160	50	350	103	M24	M30	54	-	-	-	22326BK;H2326	SR280X 9.5	1	72	ZF26	
125	S628	300	180	520	35	45	235	630	170	55	375	112	M30	M30	70	-	-	-	22328BK;H2328	SR300X 9.5	1	77	ZF28	
135	S630	320	190	560	35	45	245	680	180	55	395	118	M30	M30	75	-	-	-	22330BK;H2330	SR320X 9.5	1	82	ZF30	
140	S632	340	200	580	42	52	255	710	190	60	415	124	M30	M36	80	-	-	-	22332BK;H2332	SR340X 9.5	1	88	ZF32	